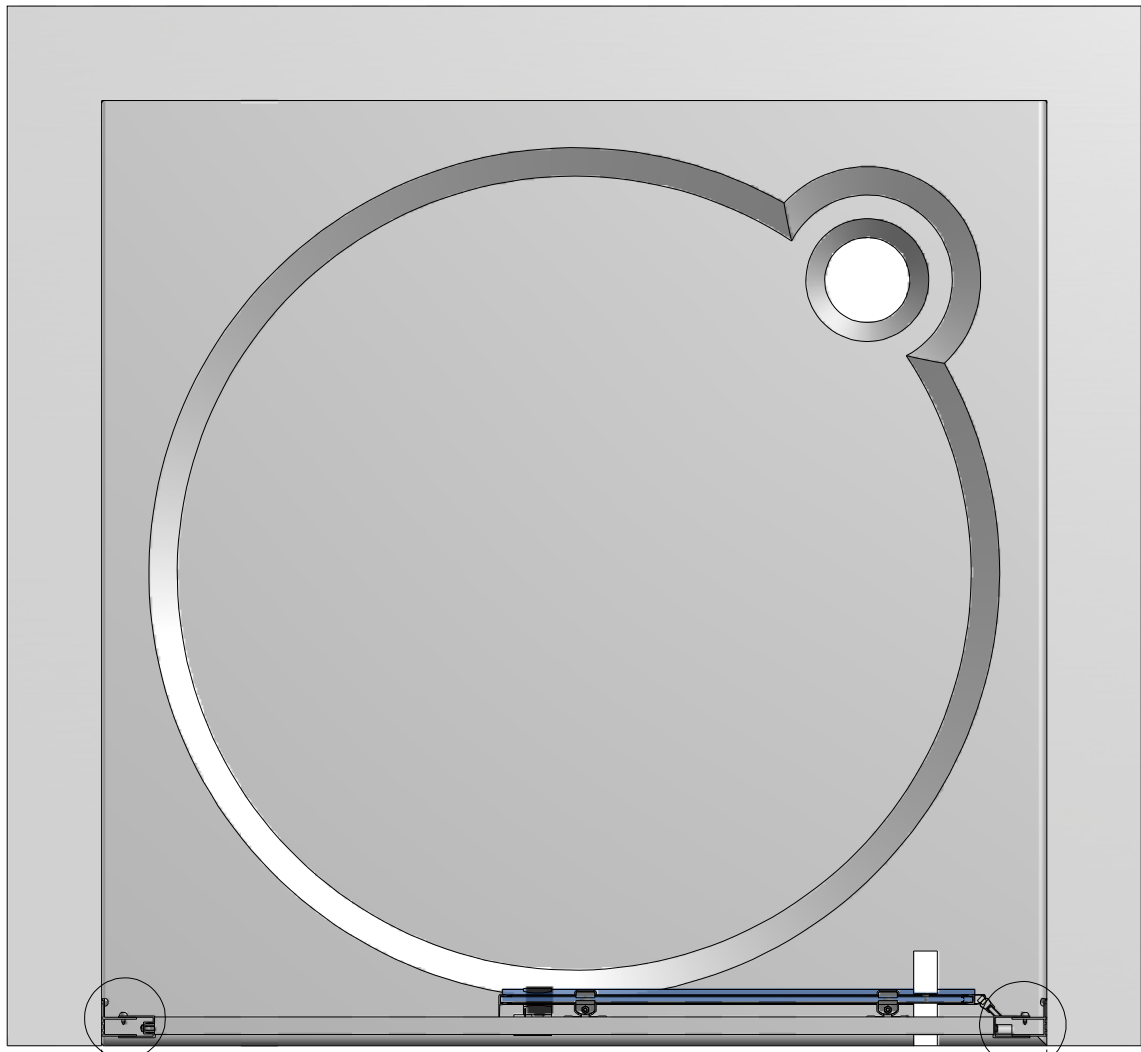


ECD2



Roltechnik a.s.; Czech Republic, 56933 Třebořov 160,
tel.:+420 461 324 301/302, fax: +420 461 324 297,
<http://www.roltechnik.com>; e-mail: objednavky@roltechnik.cz

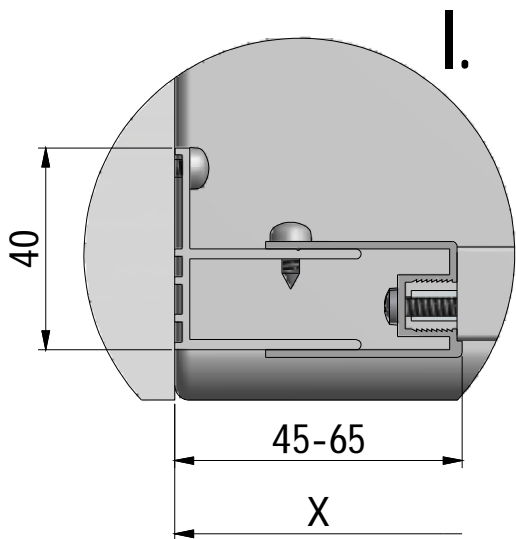
2017/01/20
Rev.:03
MA3806



I.

II.

X

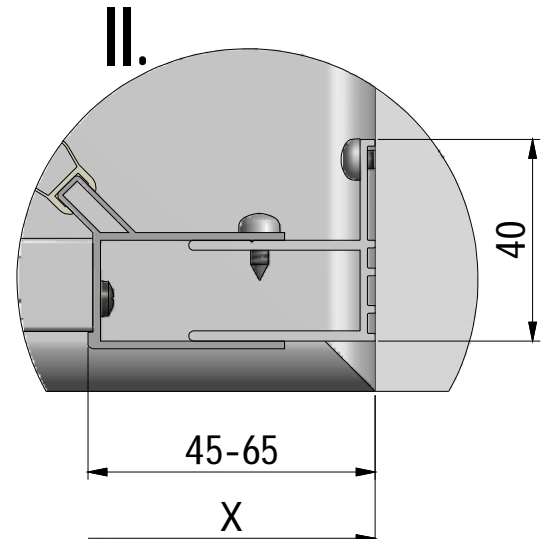


I.

40

45-65

X



II.

40

45-65

X

	X (MIN-MAX)
1200	1165-1215
1300	1265-1315
1400	1365-1415
1500	1465-1515

1. 1x (V156,V157)



3. 1x (V155)



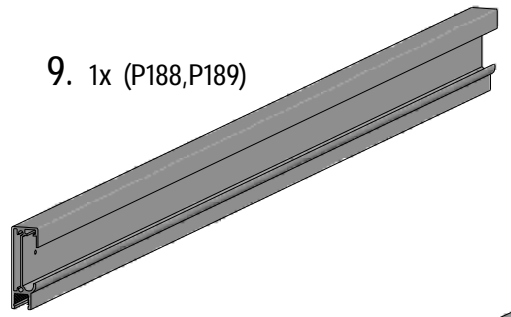
2. 2x (P185)



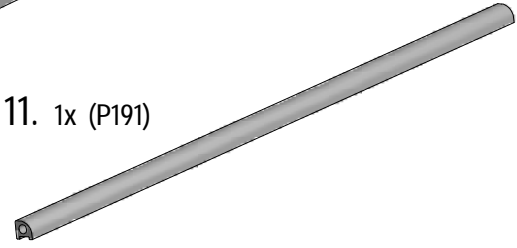
7. 1x (P186,P187)



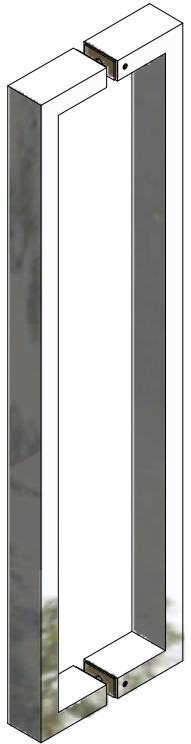
9. 1x (P188,P189)



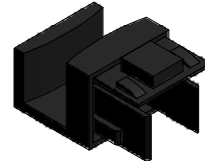
11. 1x (P191)



10. 1x (MA2908)



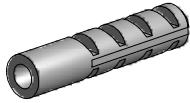
13. 1x (MA2758)



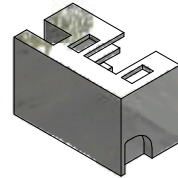
6. 12x (M1907)



4. 6x (M0511)

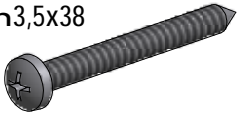


14. 1x (MA2756,MA2757)



5. 6x (M0795)

n3,5x38



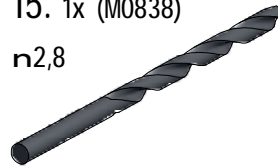
12. 6x (M0806)

n3,5x9,5

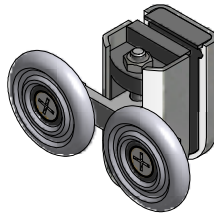


15. 1x (M0838)

n2,8



16. 2x (P3621)

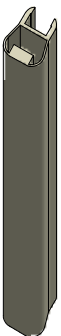


8. 4x (M0794)

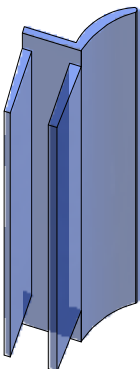
n3,5x32



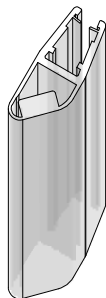
17. 1x (MA3243)



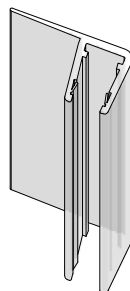
18. 1x



19. 1x (P3582)



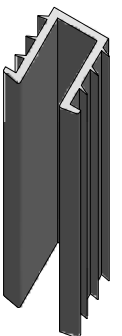
20. P3585+P3584



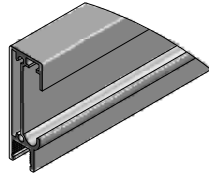
21. 1x (T28)



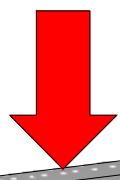
22. 1x (T27)



A1

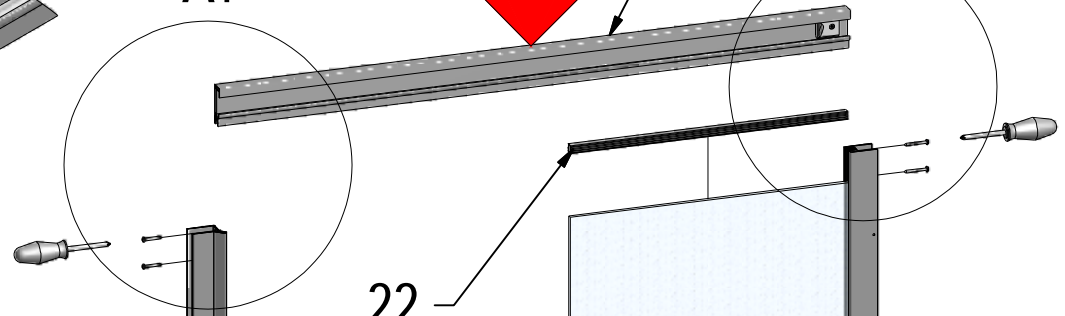


A1



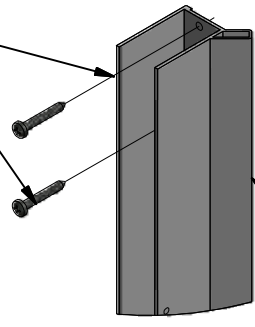
9.

A2



22.

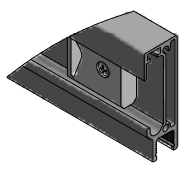
8.



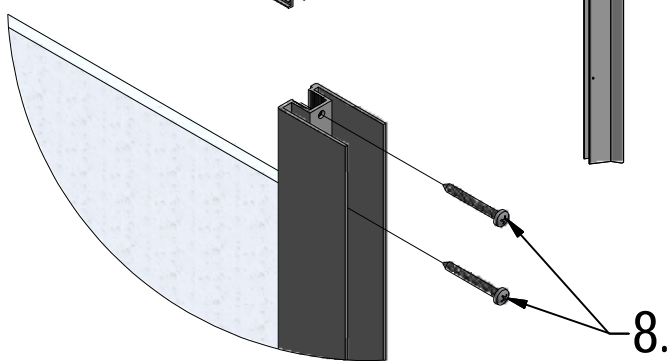
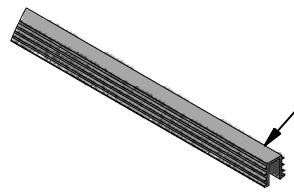
7.

7.

A2

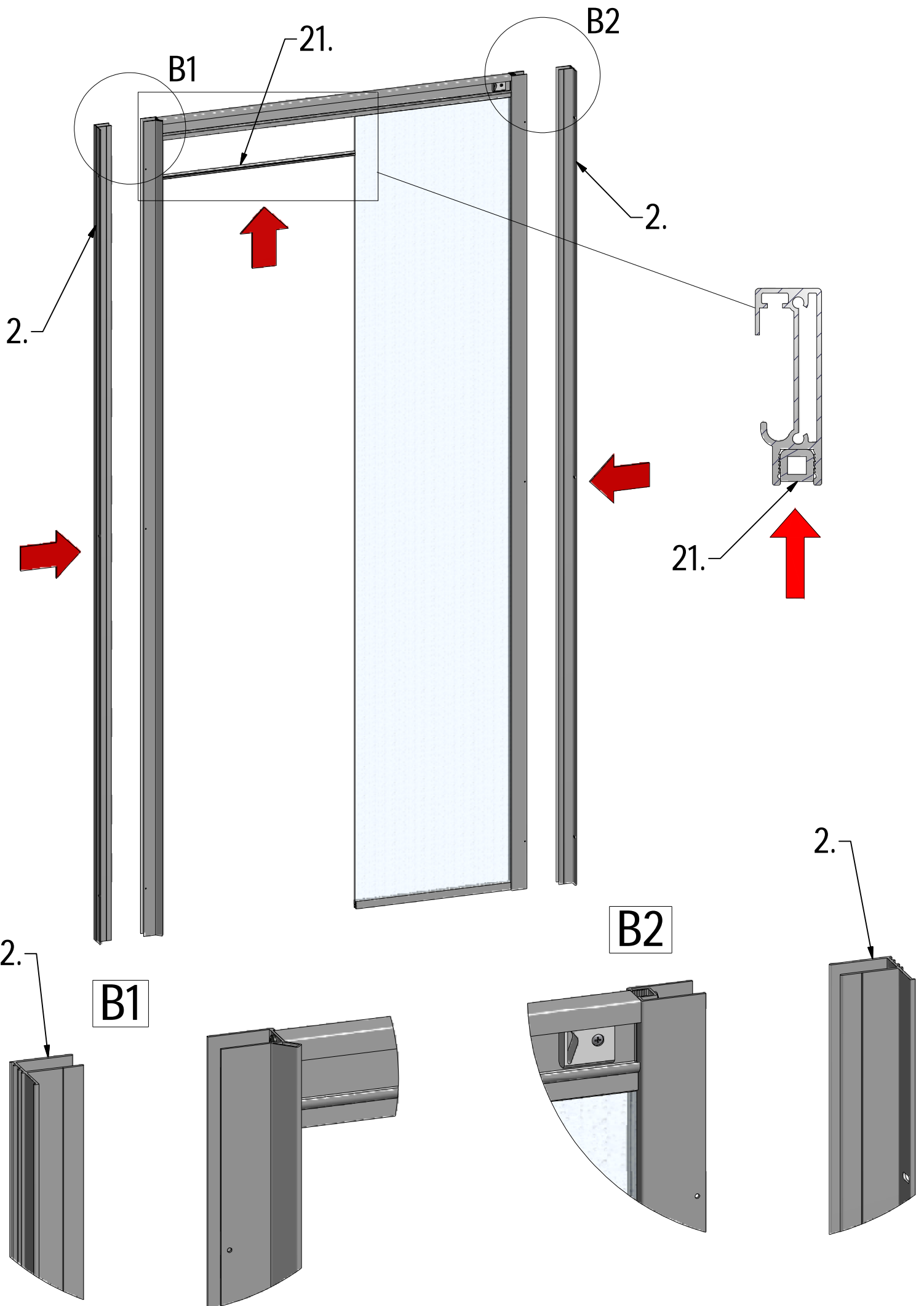


22.



8.

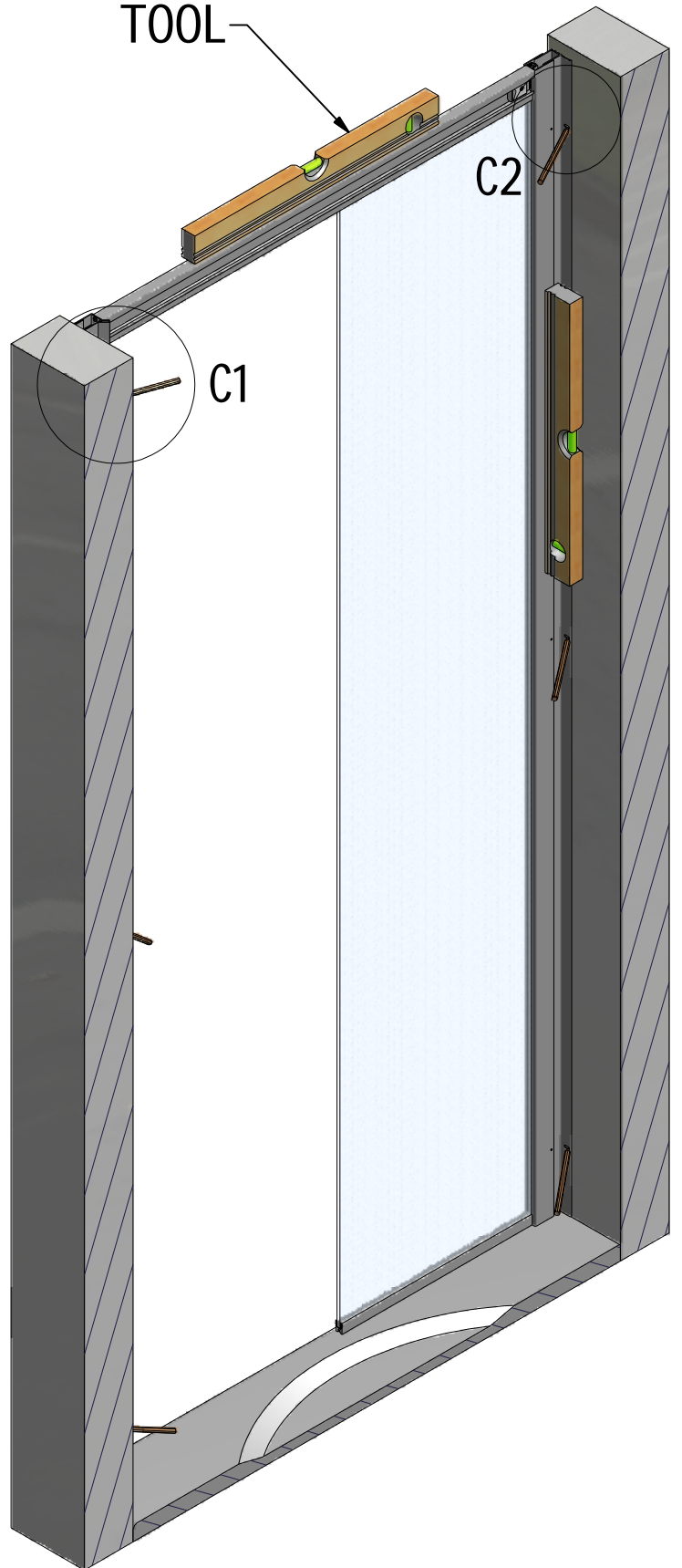
1.



C1

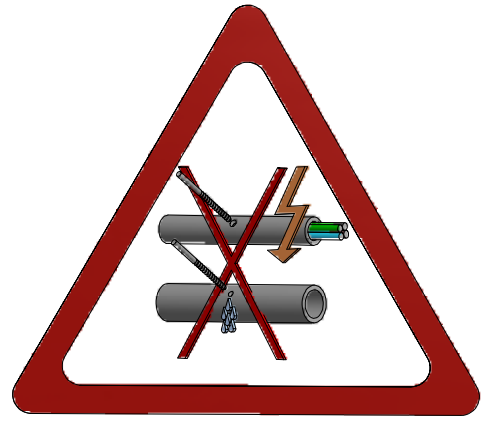
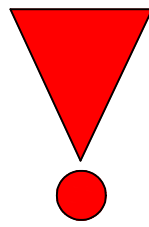
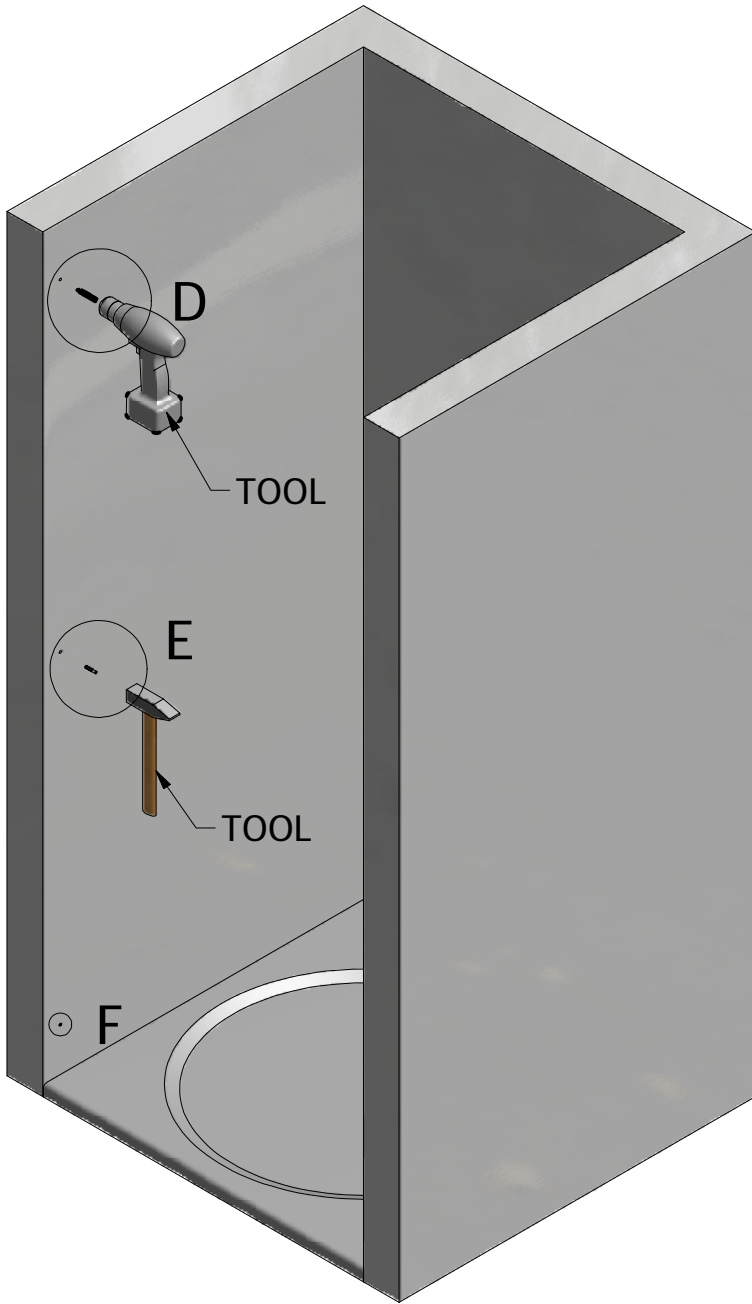


TOOL

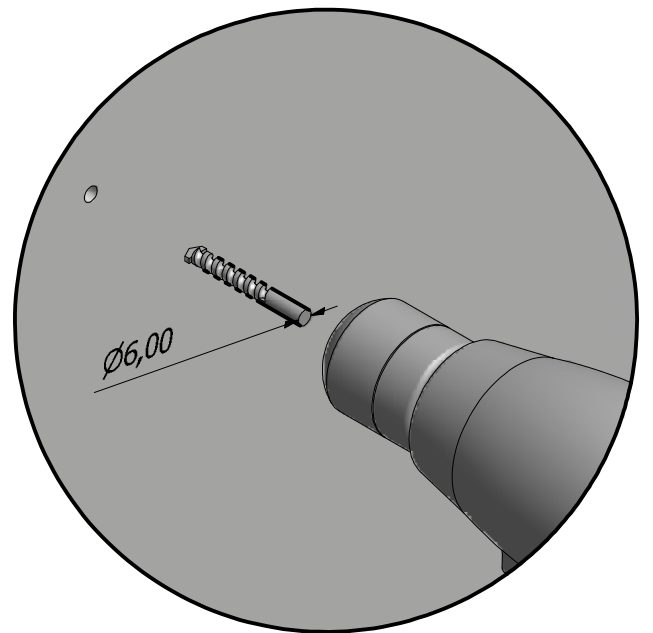


C2



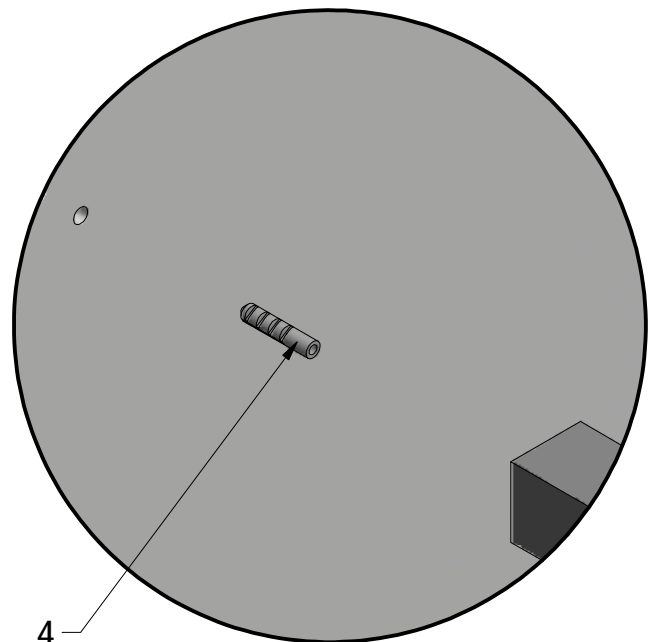
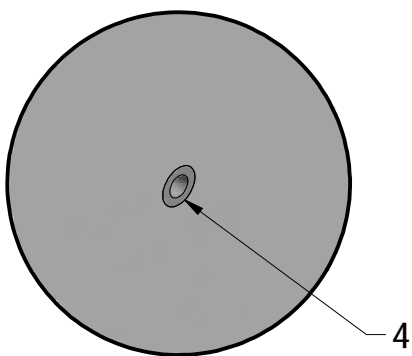


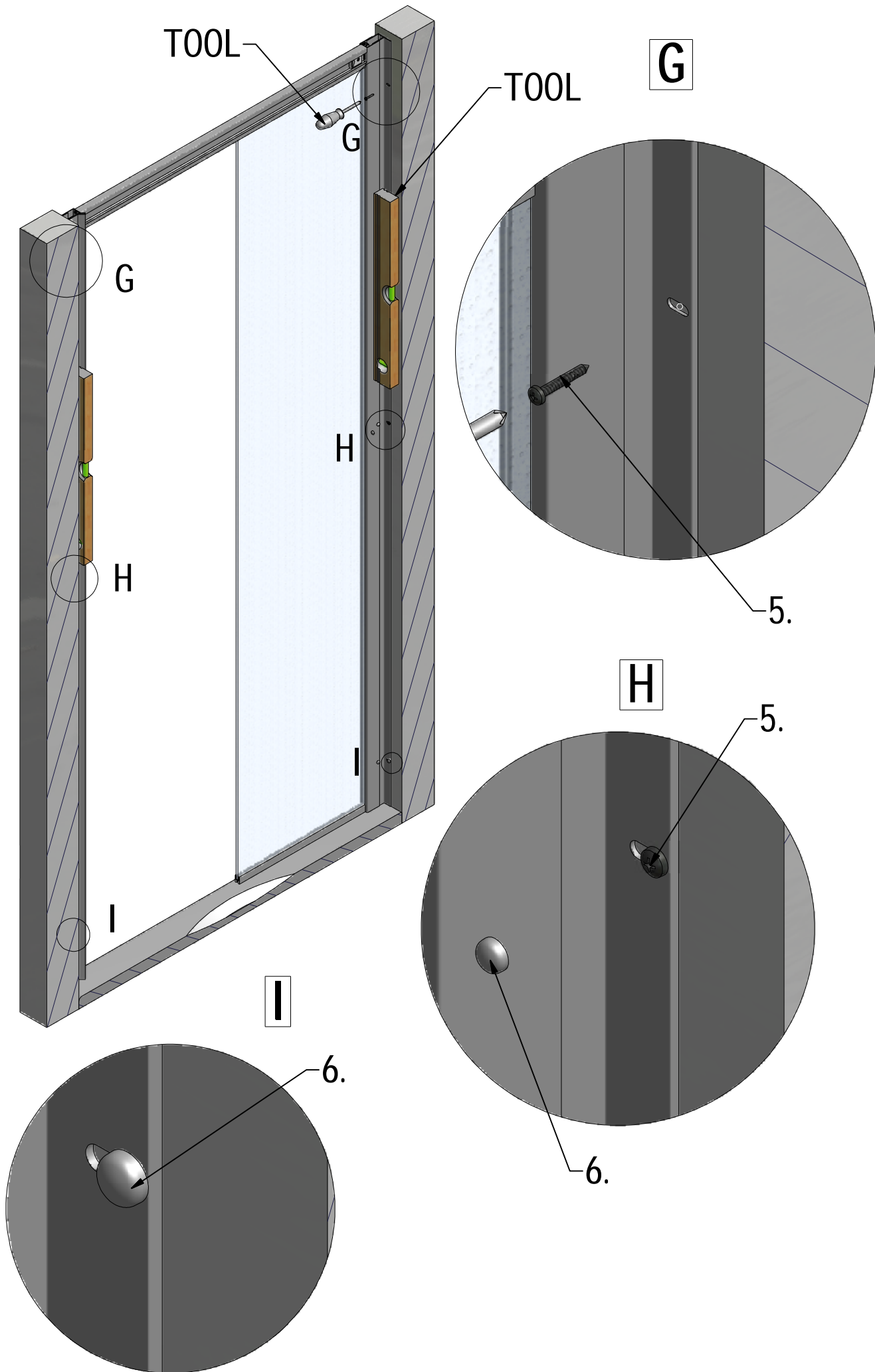
D 6x

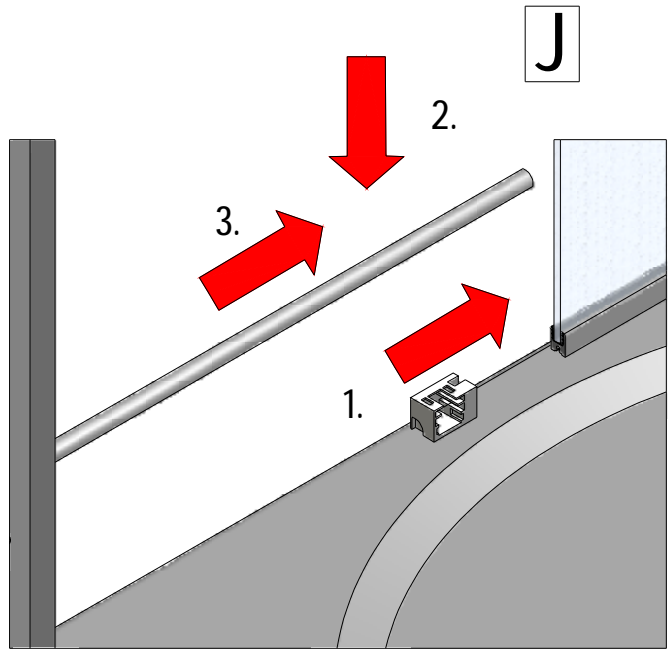
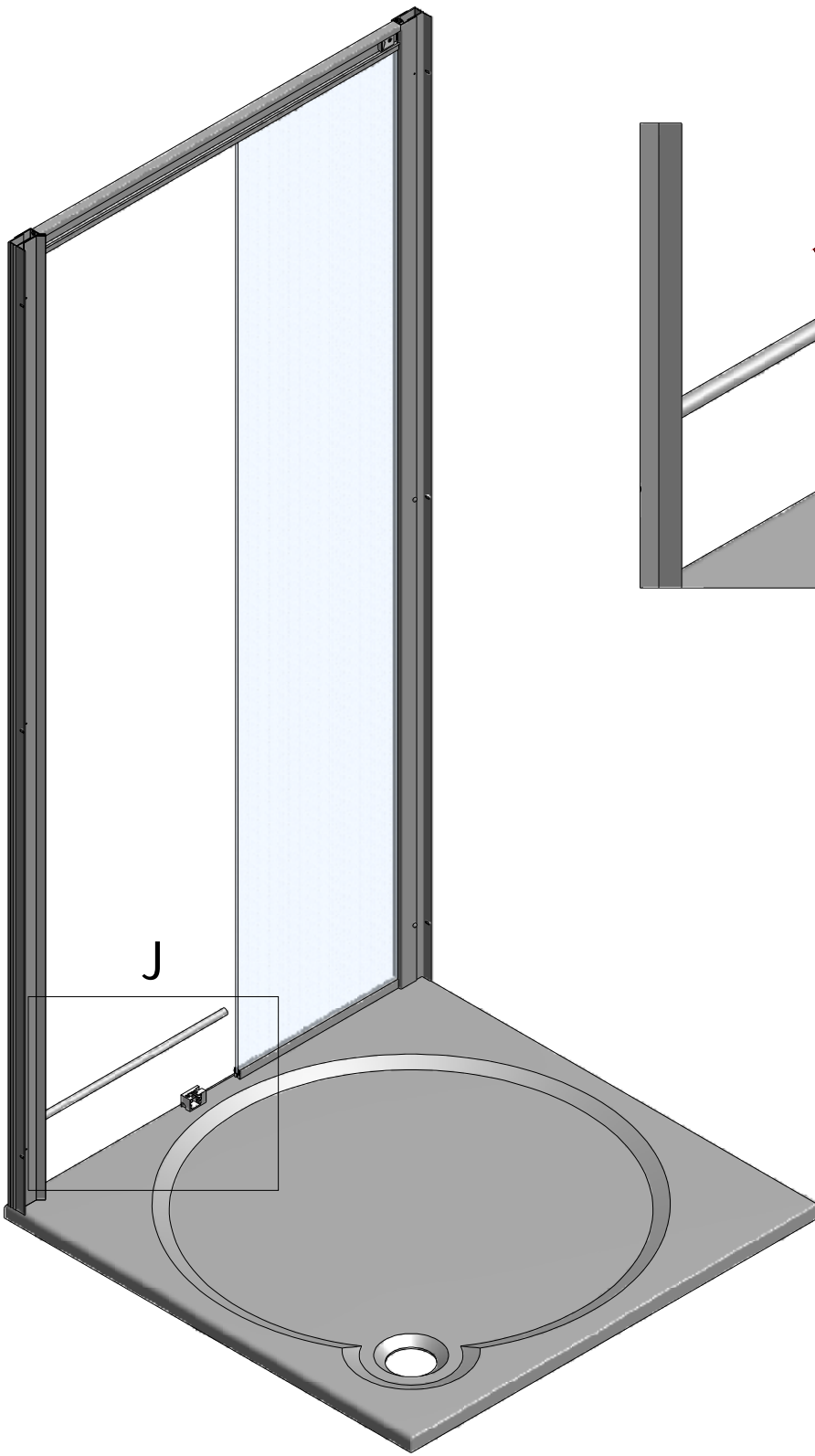


E 6x

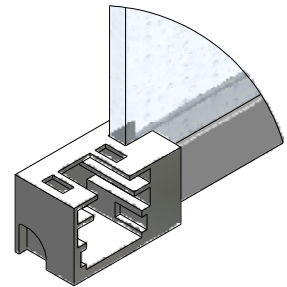
F 6x



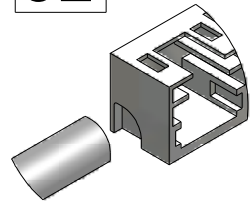




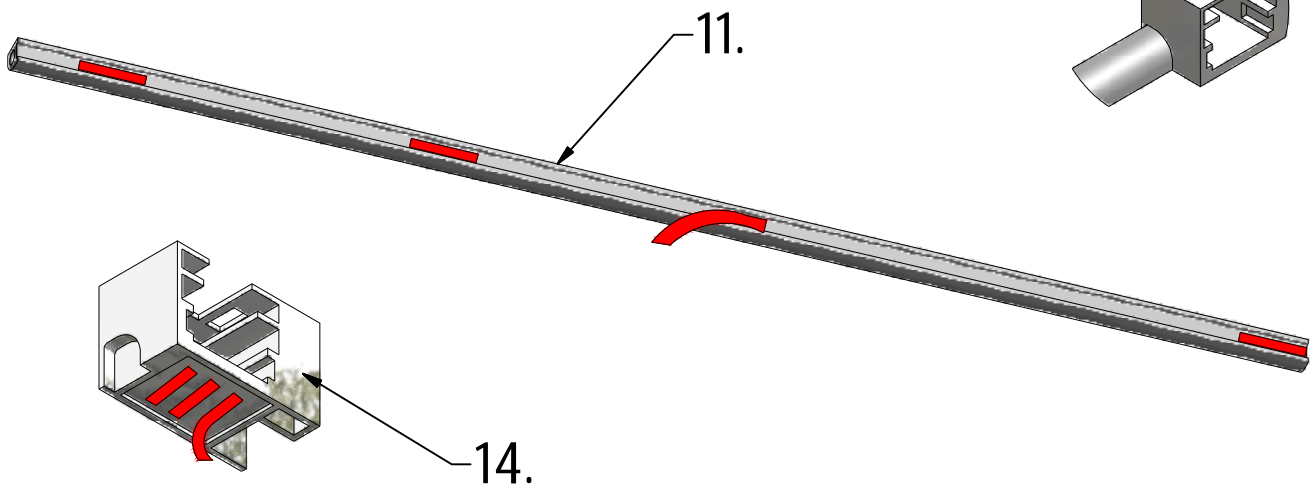
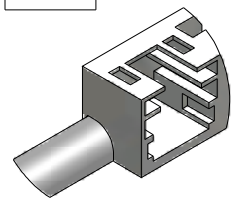
J1

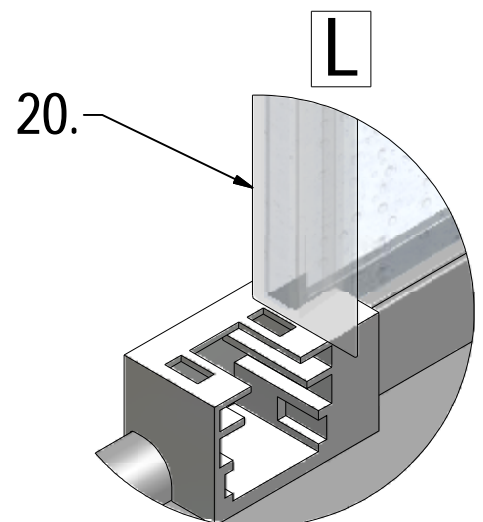
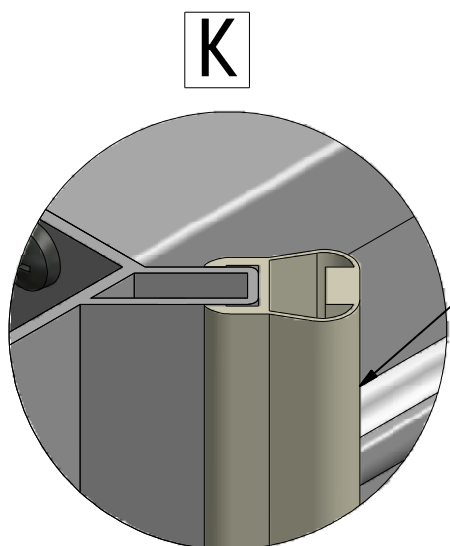
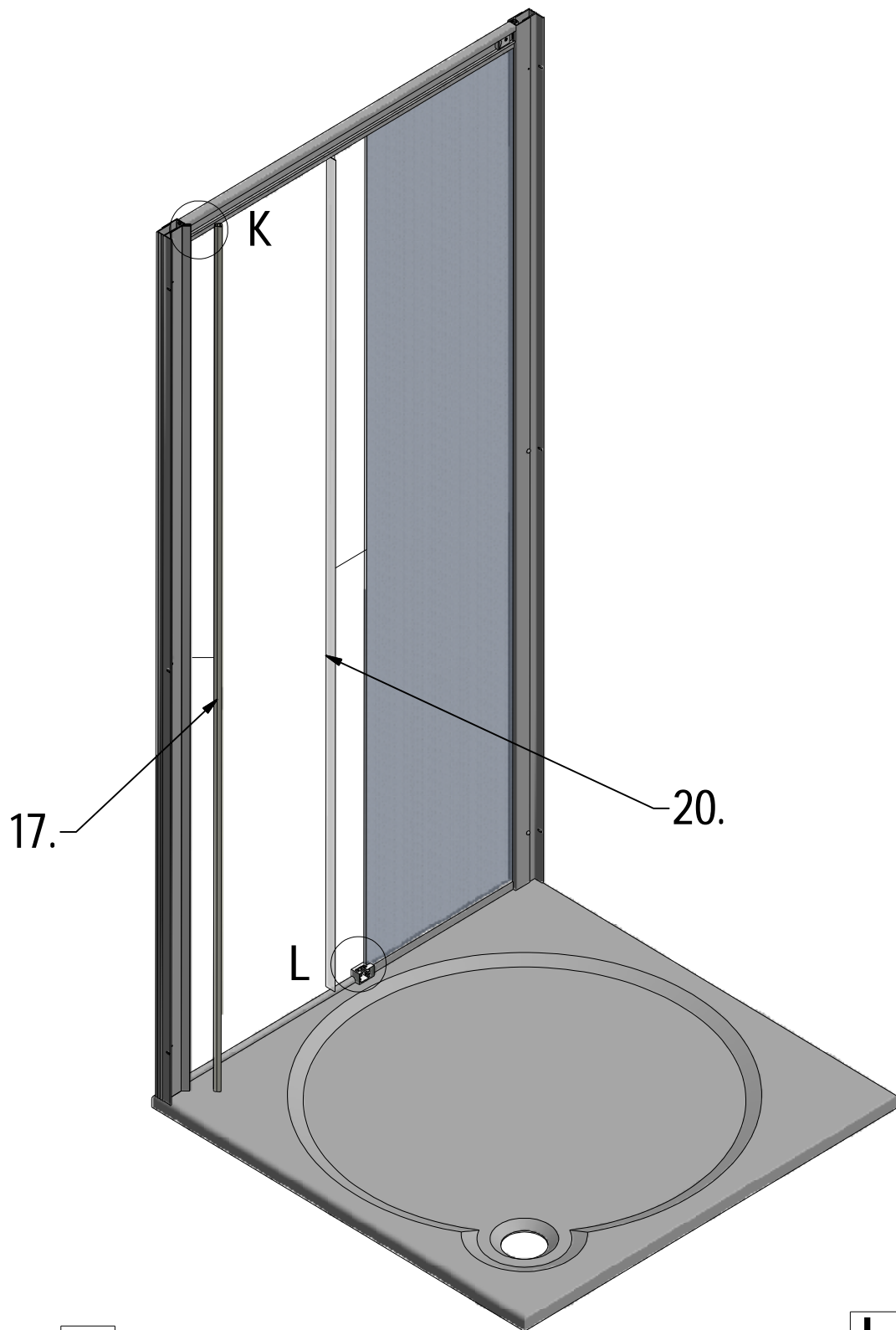


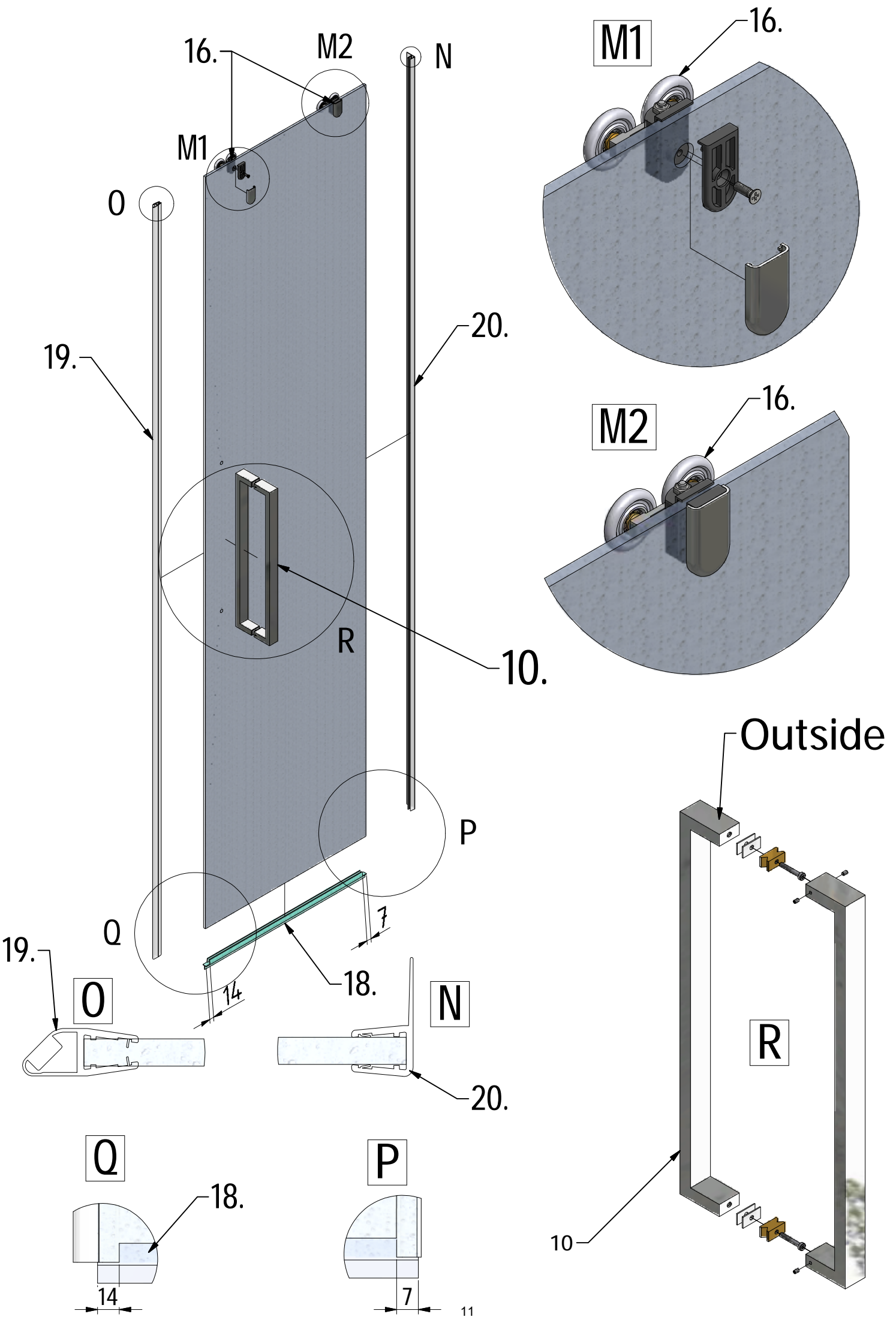
J2

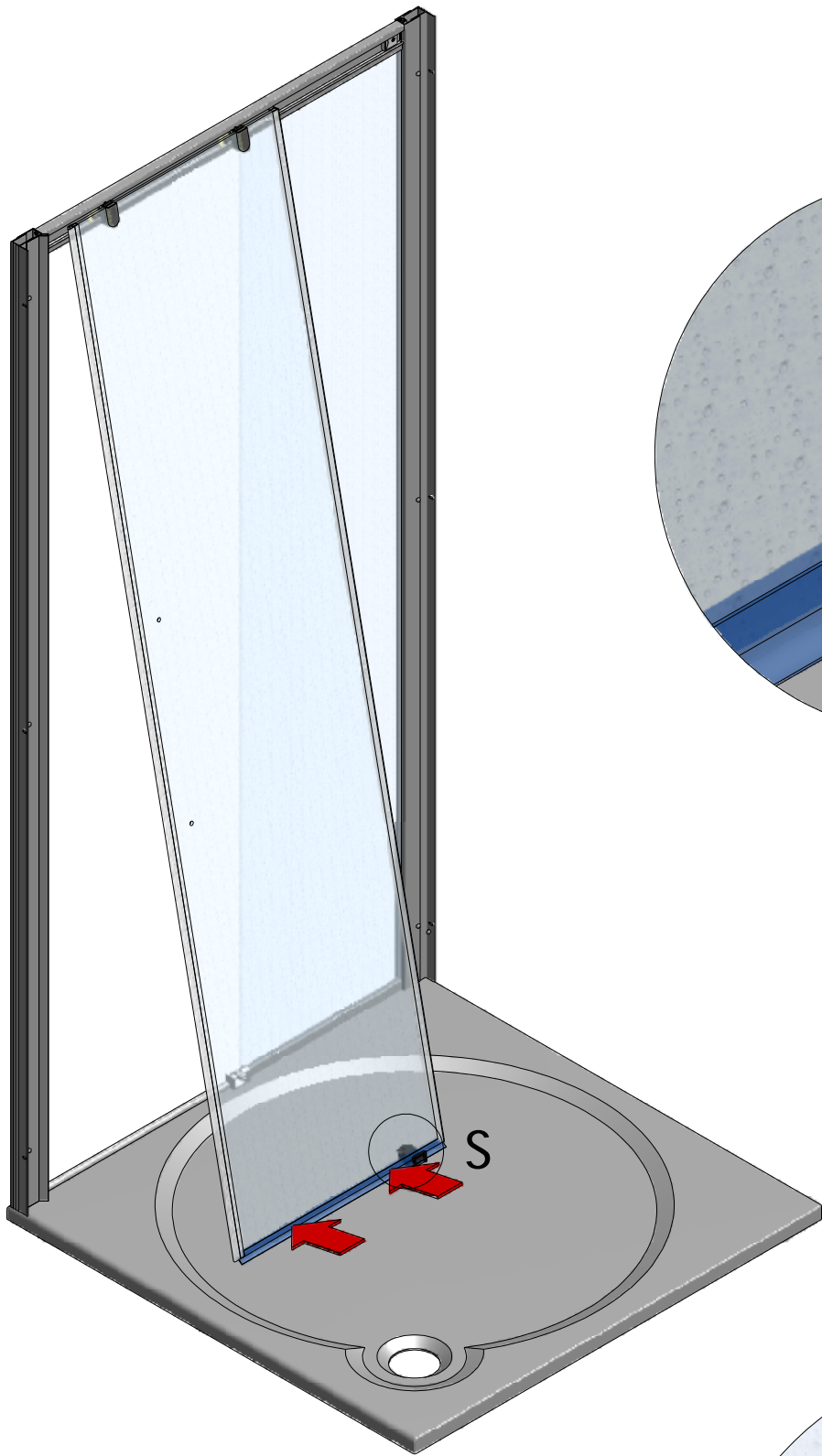


J3

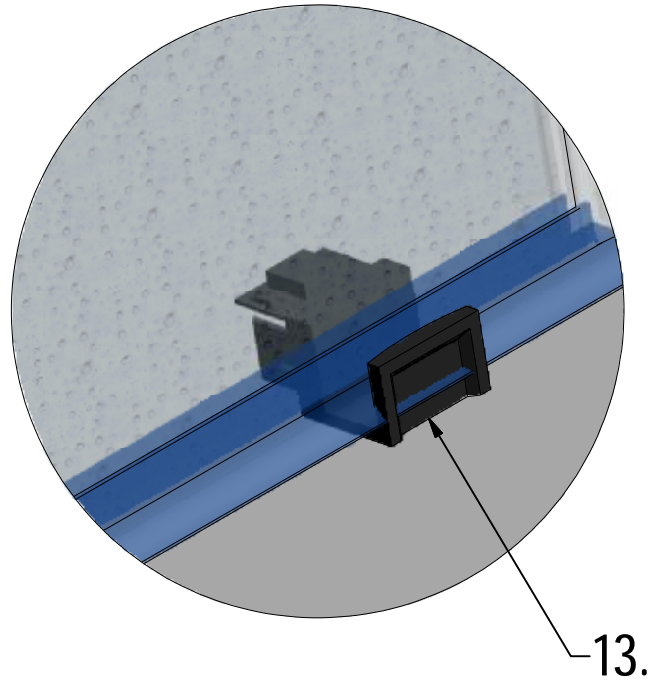




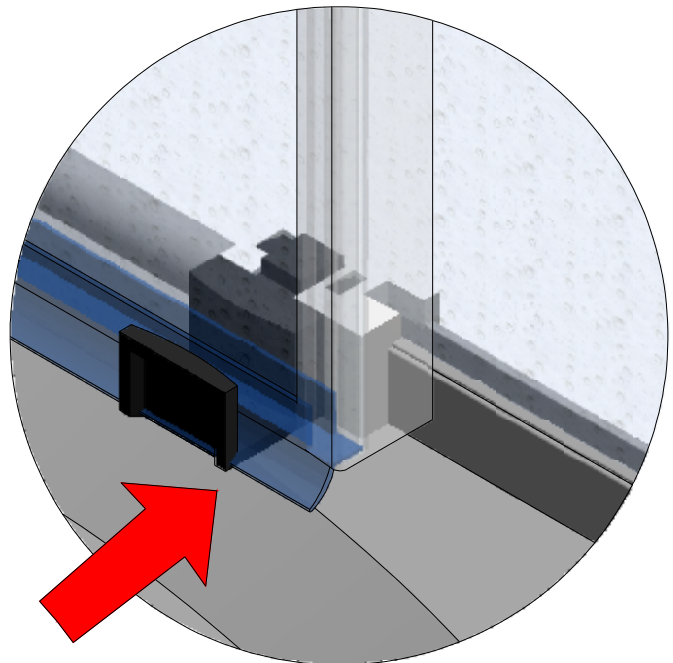
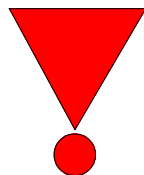


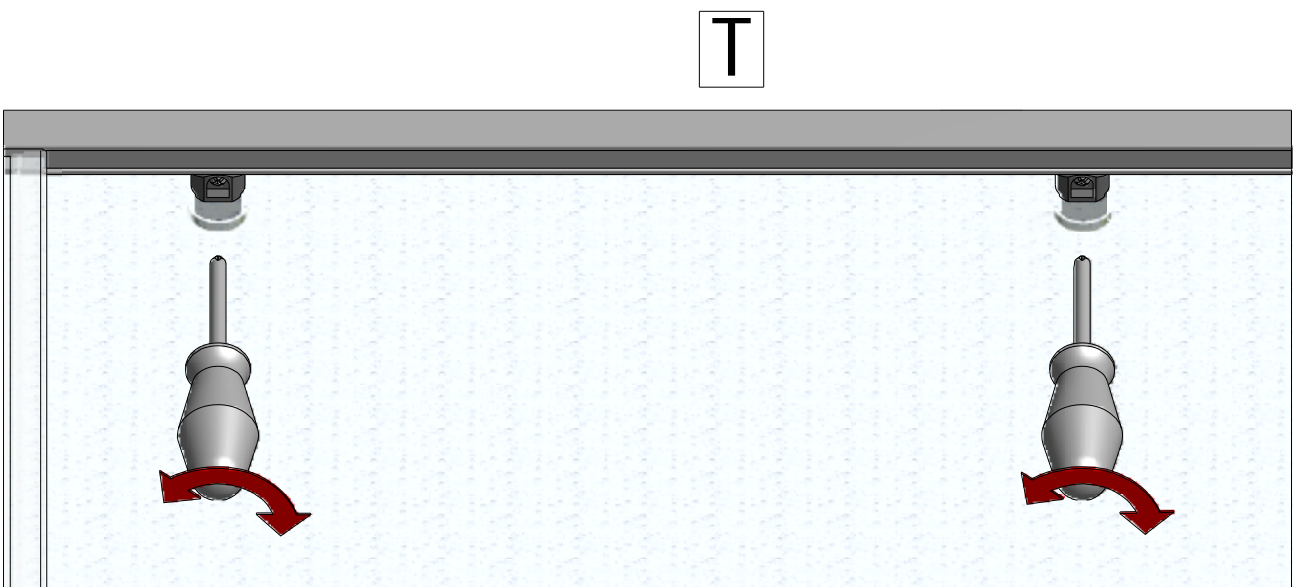
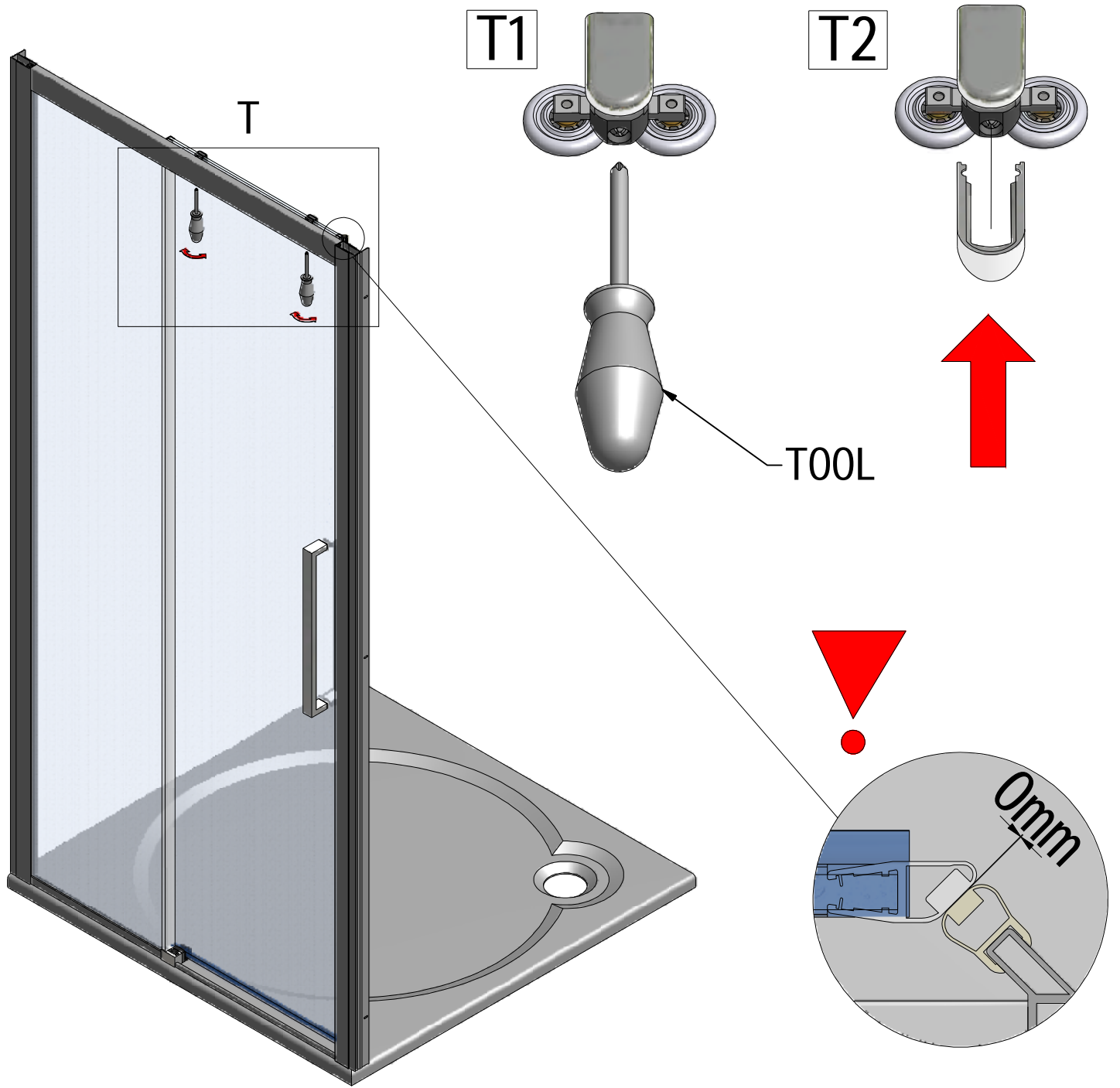


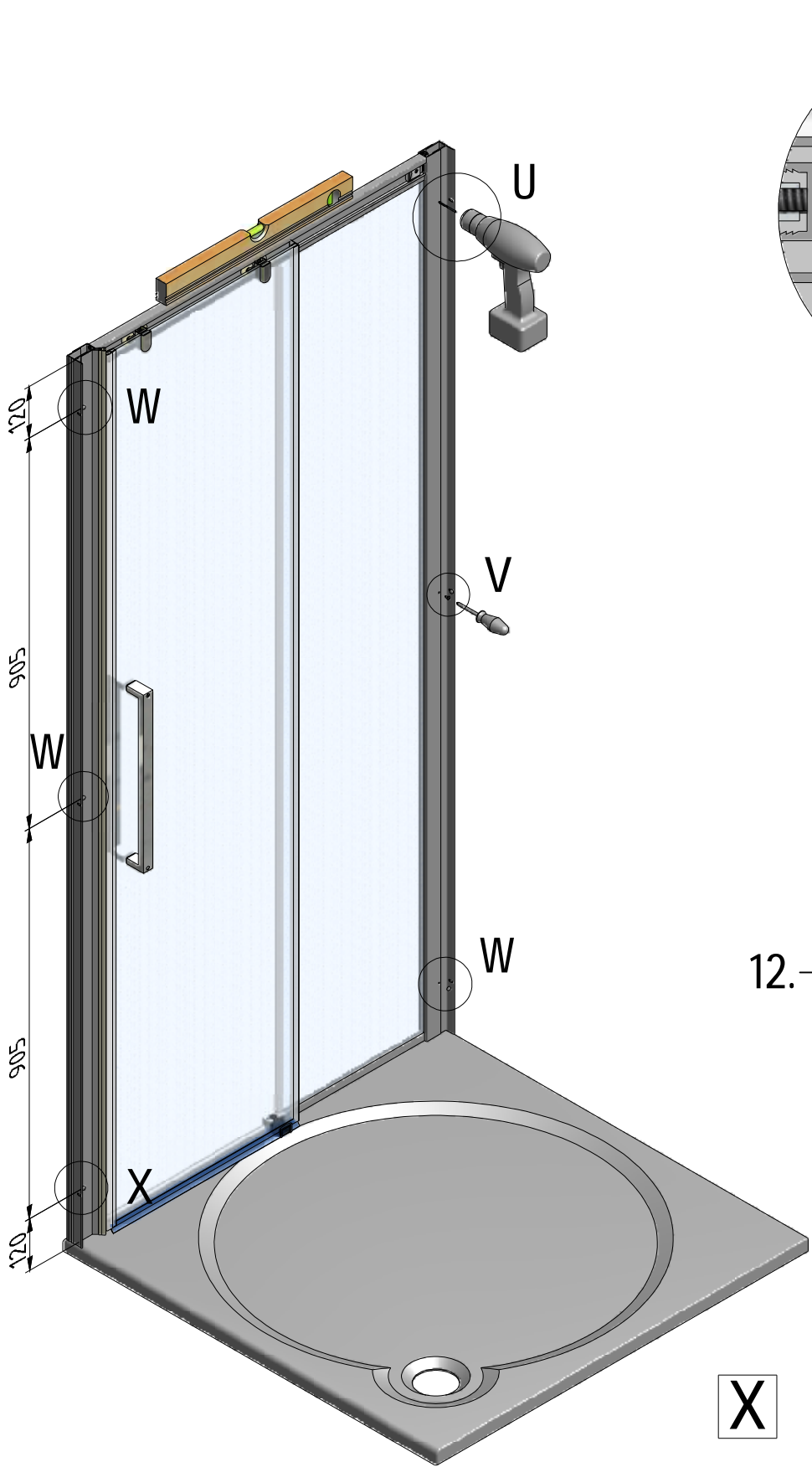
S1



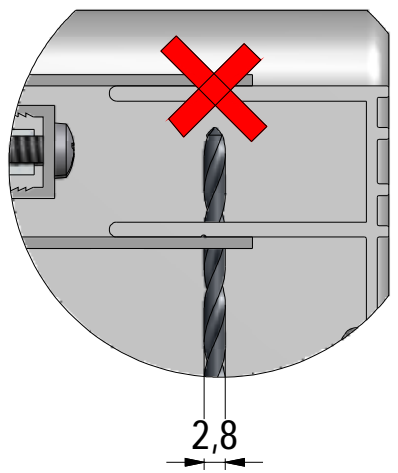
S2



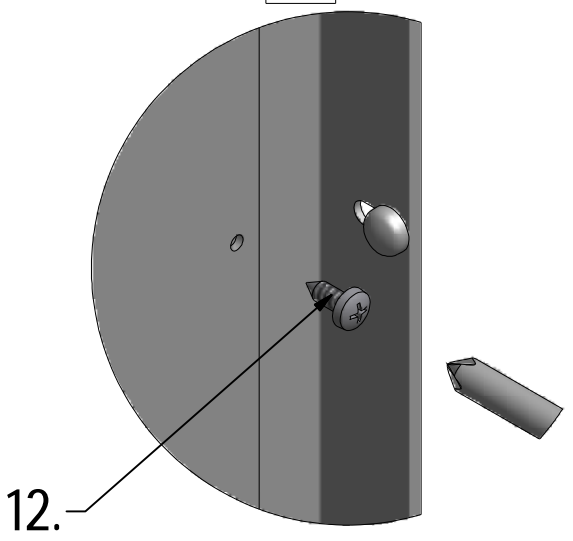




U



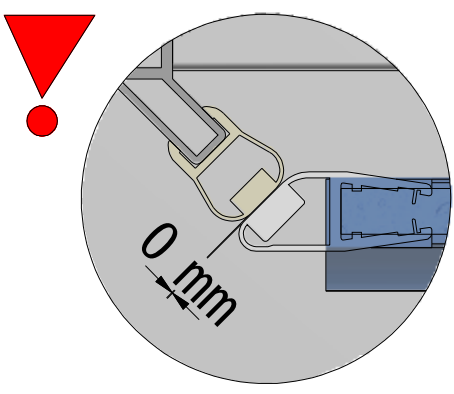
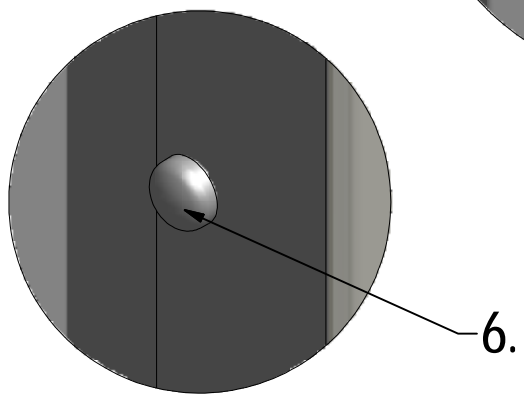
V

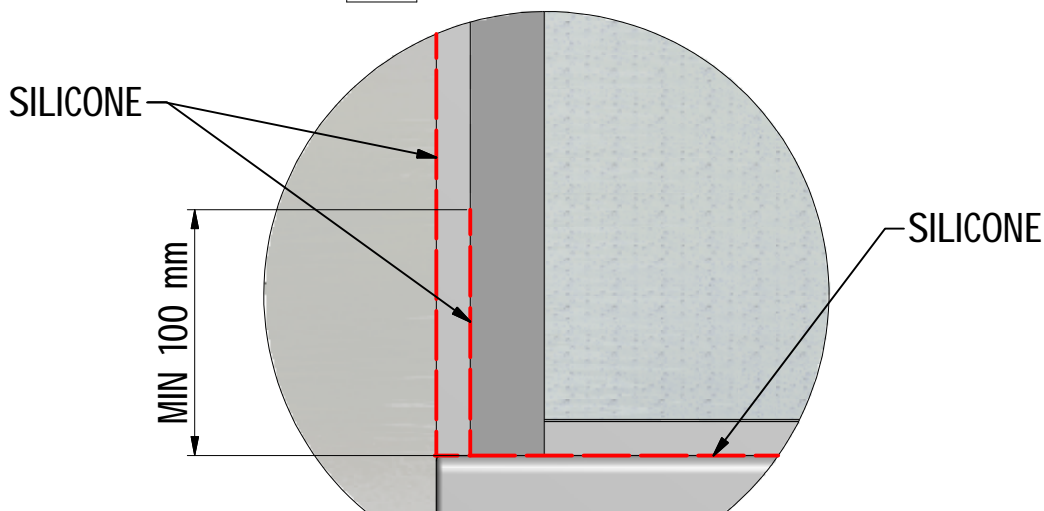
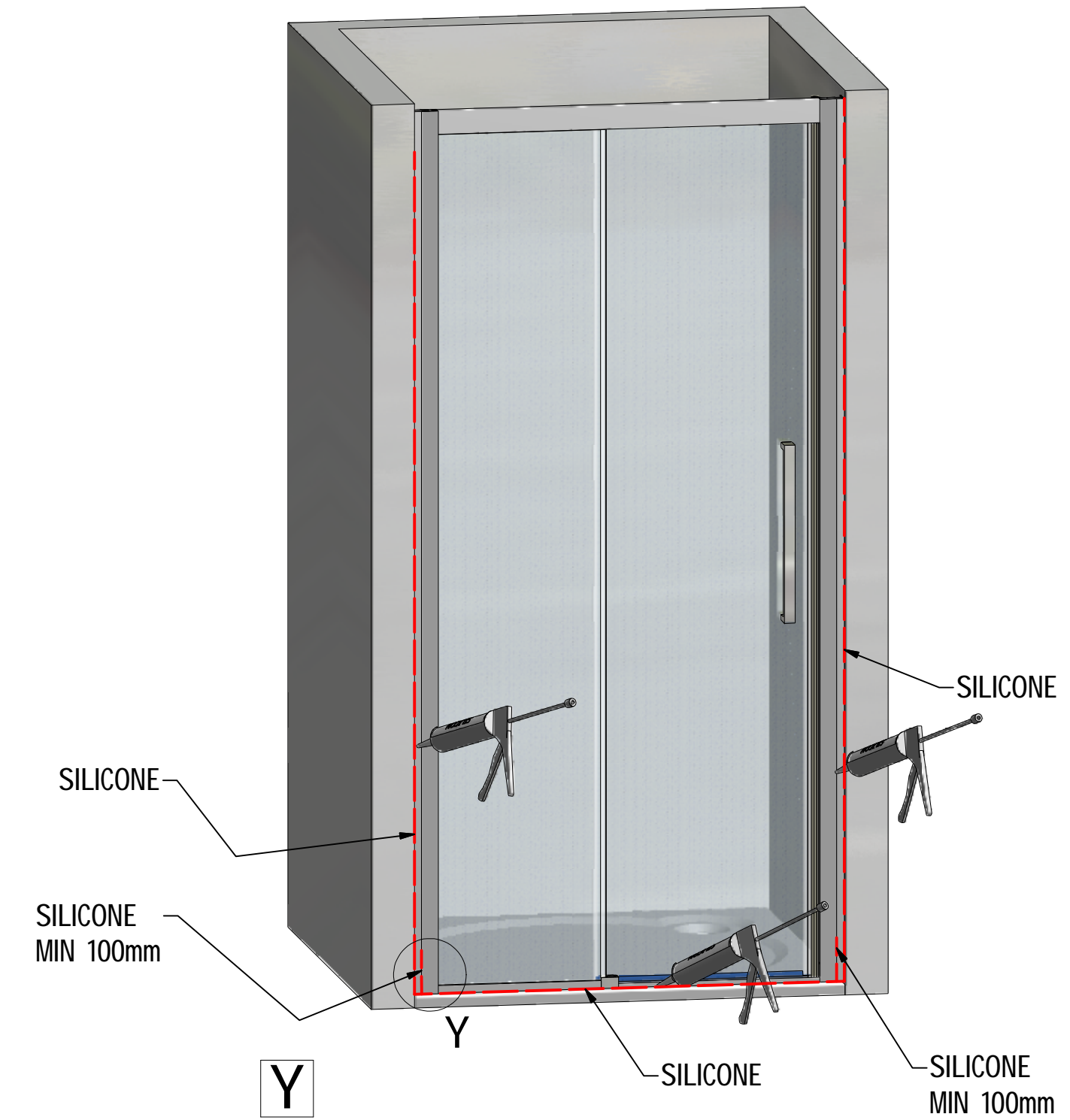


W

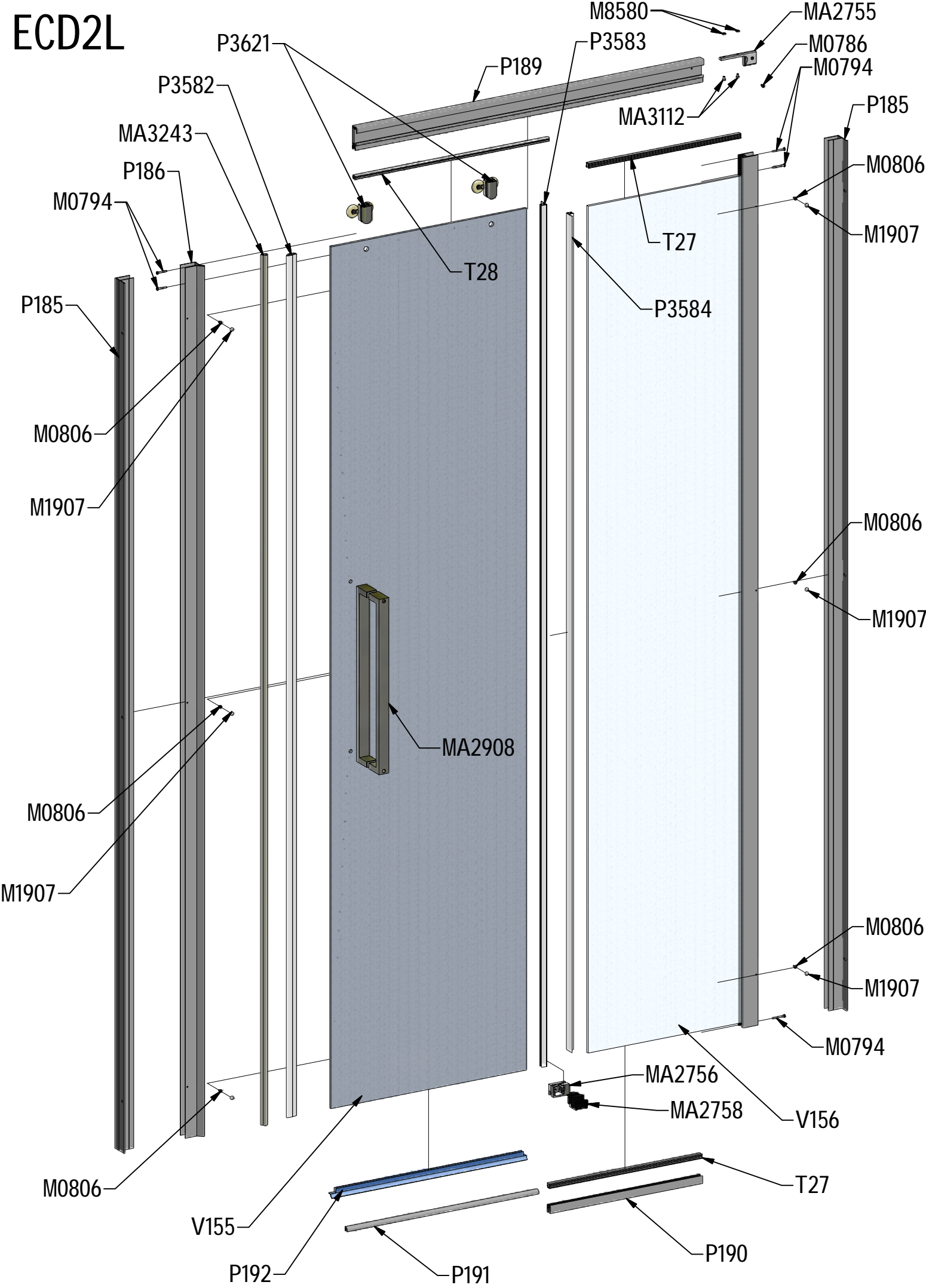


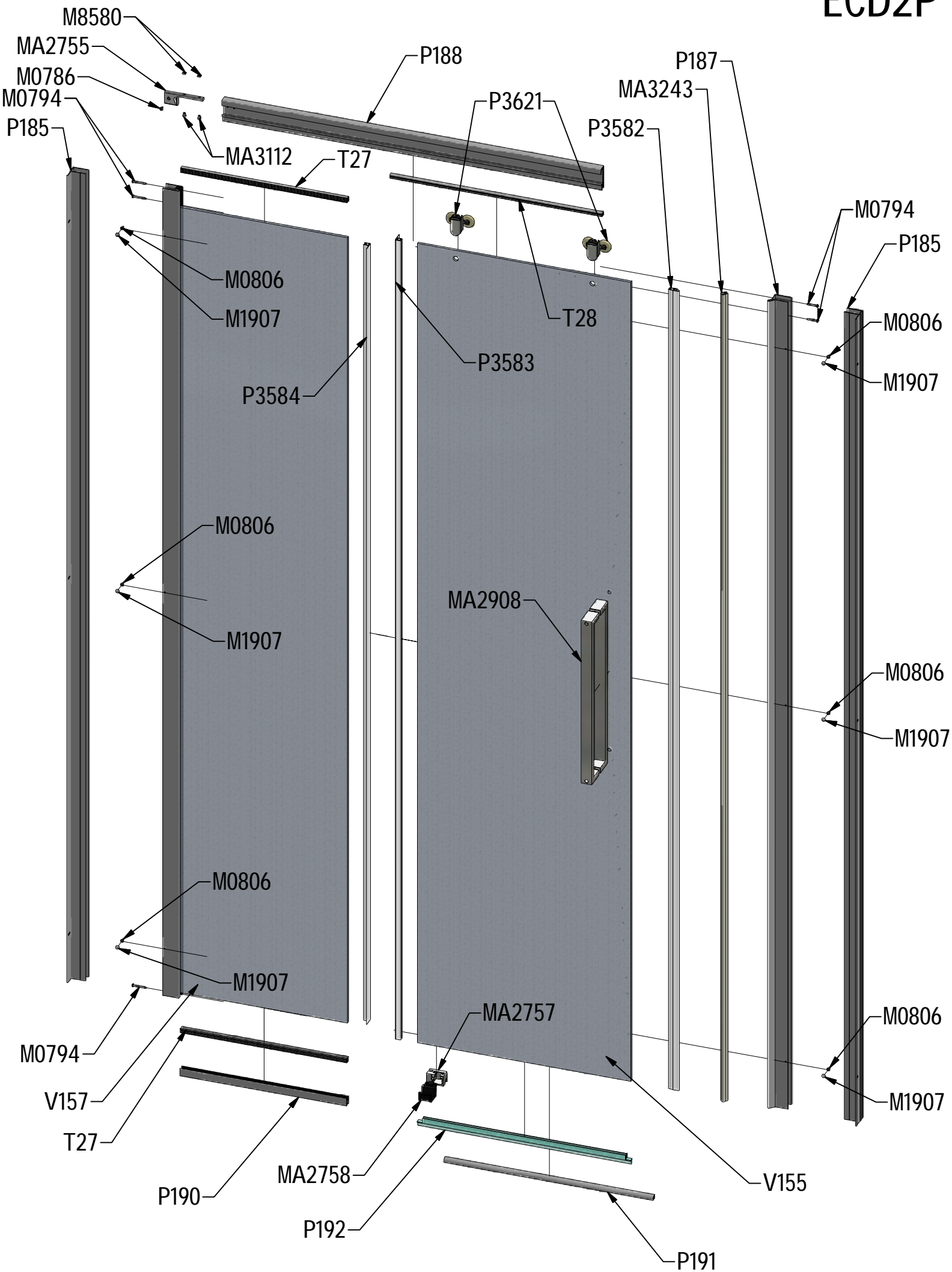
X





ECD2L





V155	1200	clear glass	ND02-0698-02
	1300	clear glass	ND02-0699-02
	1400	clear glass	ND02-0700-02
	1500	clear glass	ND02-0701-02

V156	1200	clear glass/black	ND03-0582-05-02
	1300	clear glass/black	ND03-0583-05-02
	1400	clear glass/black	ND03-0584-05-02
	1500	clear glass/black	ND03-0585-05-02
	1200	clear glass/brillant	ND03-0586-00-02
	1300	clear glass/brillant	ND03-0587-00-02
	1400	clear glass/brillant	ND03-0588-00-02
	1500	clear glass/brillant	ND03-0589-00-02

V157	1200	clear glass/black	ND03-0590-05-02
	1300	clear glass/black	ND03-0591-05-02
	1400	clear glass/black	ND03-0592-05-02
	1500	clear glass/black	ND03-0593-05-02
	1200	clear glass/brillant	ND03-0594-00-02
	1300	clear glass/brillant	ND03-0595-00-02
	1400	clear glass/brillant	ND03-0596-00-02
	1500	clear glass/brillant	ND03-0597-00-02

P185		black	P3470
		brillant	P3469

P186		black	P3571
		brillant	P3572

P187		black	P3569
		brillant	P3570

P188	1200	black	P3555
	1300		P3602
	1400		P3557
	1500		P3604
	1200	brillant	P3556
	1300		P3603
	1400		P3558
	1500		P3605

P189	1200	black	P3563
	1300		P3606
	1400		P3565
	1500		P3608
	1200	brillant	P3564
	1300		P3607
	1400		P3566
	1500		P3609

P190	1200	black	P3517
	1300		P3545
	1400		P3549
	1500		P3547
	1200	brillant	P3516
	1300		P3546
	1400		P3550
	1500		P3548

P191	1200	black	P3539
	1300		P3610
	1400		P3541
	1500		P3612
	1200	brillant	P3540
	1300		P3611
	1400		P3542
	1500		P3613

P192			ECD2P/ECD2L
	1200		P3614/P3834
	1300		P3615/P3835
	1400		P3616/P3836
	1500		P3617/P3837

T27			ND01-3223
-----	--	--	-----------

T28			ND01-3224
-----	--	--	-----------